

## Model: C15U-400

### 1. Function:

This dry cabinet is designed to protect the electronic gadgets and valuable collections from moisture damage. C15U-400 is adjustable from 15%RH to 50%RH. The interior environment is controlled by precise digital controller.

### 2. Features:

**2.1 Modular Design:** This is a modularly designed dry cabinet. The main modules are display controller, power box, dehumidifier, shelf, caster wheel. All of the modules can be replaced easily.

**2.2 Green Design:** The performance of the dry cabinet can be upgraded by just changing the modules. There will be no waste materials created to pollute the environment. The old modules can be collected and sent back to the maker. Dryzone dry cabinets can be used as long as the cabinet structure is in good condition. It means that the product life could last for 10 to 20 years.

**2.3 Flexible Design:** The users can choose more dehumidifiers in the beginning or can add these modules in future. The units are so flexible that users can select and install modules at any time.

**2.4 Easy Operation Design:** It is a plug and play dry cabinet. Considerable training costs are saved. The default setting is 20%RH.



pic 1

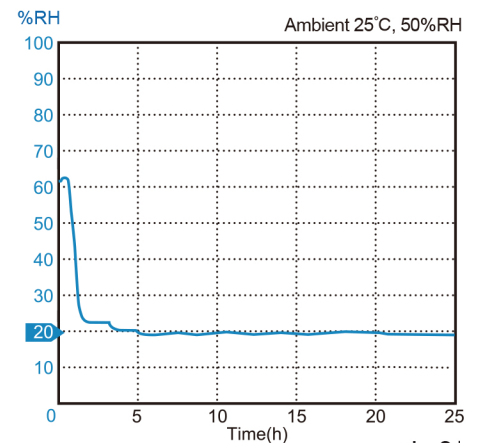


Control Panel

pic 2

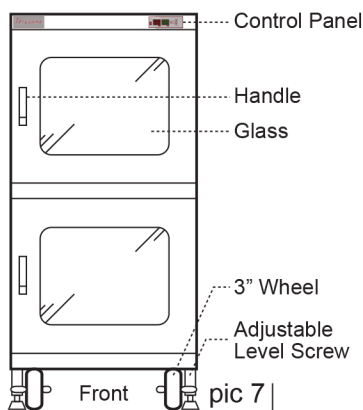
### 3. Specifications:

- 3.1 Humidity Range: 15~50%RH (adjustable)
- 3.2 Outside Dimension: W600\*D695\*H1274mm
- 3.3 Capacity: 413L
- 3.4 Shelves: 3 shelves
- 3.5 Color: white
- 3.6 Voltage: 110V/230V (select voltage in advance)
- 3.7 Display Precision:  $\pm 3\%RH$ ;  $\pm 1^{\circ}C$
- 3.8 Structure: 1mm thick carbon steel with paint.
- 3.9 Door: Handles, airtight magnetic sealers and reinforced glass.
- 3.10 Wheel: Four 3" wheels, all of them with brakes.
- 3.11 Grounding Wire: 1M $\Omega$ . (940mm long)
- 3.12 Power Consumption: Ave.6Wh; Max. 145W.
- 3.13 The best performance of the dry cabinet is achieved under the ambient condition of temperature below 30°C and relative humidity below 60%RH.

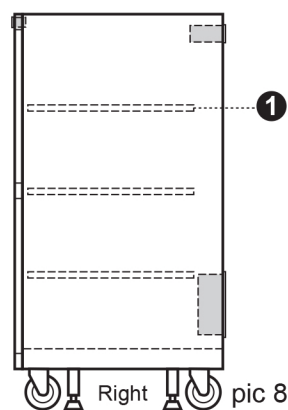


Set Value = 20%RH

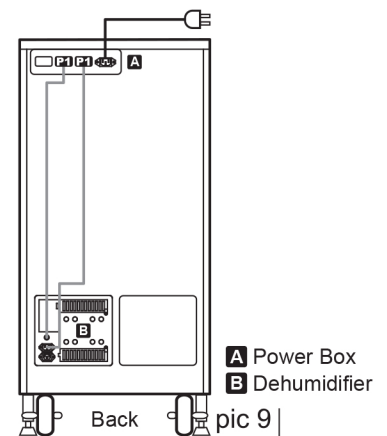
pic 3



Front pic 7



Right pic 8



Back pic 9